



Driving safely
is what matters



Radar AIC

Automatic Inclination Calibration



Perfect for ETCS & CBTC
speed measurement

Quick and simple to install – no need for delicate
adjustments or costly running trials.

Unrivalled experience worldwide

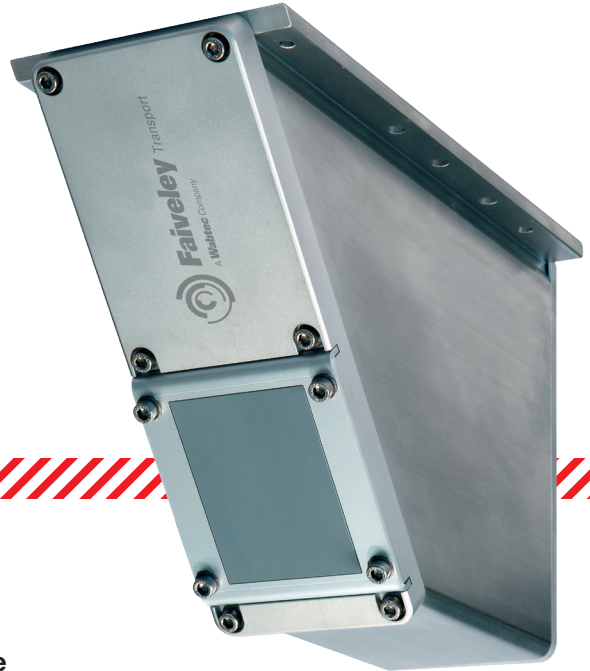
- 20 years experience in Doppler
- 5th generation radar

Highest accuracy & availability for all trains
and all track beds

- Ruggedised radome
- EN50129, EN50128 assessment

CUSTOMER BENEFITS :

- + Unique Automatic Inclination Calibration greatly reduces installation time and costs
- + Easy maintenance
- + Precision

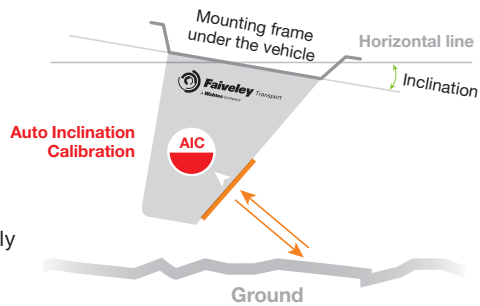


Radar AIC includes The unique automatic calibration system

No need

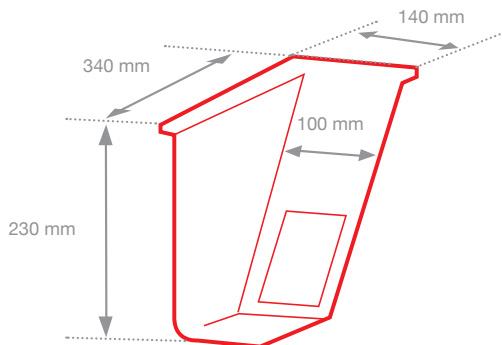
- for precise adjustments of the radar mounting
- for angle measurements
- for running trials to verify angle

A simple calibration request and Radar AIC automatically calculates the exact angle ensuring accurate readings.



Specifications

Doppler measurement	<p>Speed</p> <ul style="list-style-type: none"> • Range 0.5-500 km/h • Doppler measurement Error 1% • Auto-calibration AIC <p>Distance</p> <p>Direction of travel</p>
Antenna	<p>24.150 – 24.250 GHz band</p> <p>20 mW E.I.R.P. max</p>
Outputs	<p>Isolated RS485</p> <p>Configurable Speed Pulse</p> <p>RS232 (maintenance)</p>
Power supply	<p>24V-110V, 20W max</p> <p>EN50155 class S2</p> <p>Inverse polarity protection</p>
Housing	<p>7 kg</p> <p>IP 65</p> <p>M8 fixing screws</p> <p>Bayonet circular connector</p>
Radome	<p>Impact resistance NFF07-101 class K9</p> <p>External radome mounting, simplified maintenance</p>
Environment	<p>EN50155 class TX+ [-40°C, +70°C]</p> <p>EN50121-3-2</p> <p>NFF16102 Category A1</p>
Safety assessment	<p>50128:2011 SSIL0</p> <p>Designed for SIL2 assessment</p>



To discover everything Radar AIC can do, contact:

Faiweley Transport
 3, rue du 19 mars 1962 - 92230 Gennevilliers CEDEX - France
 Email: info.safety@wabtec.com
 www.wabtec.com